

1

2

3

4

A

A

B

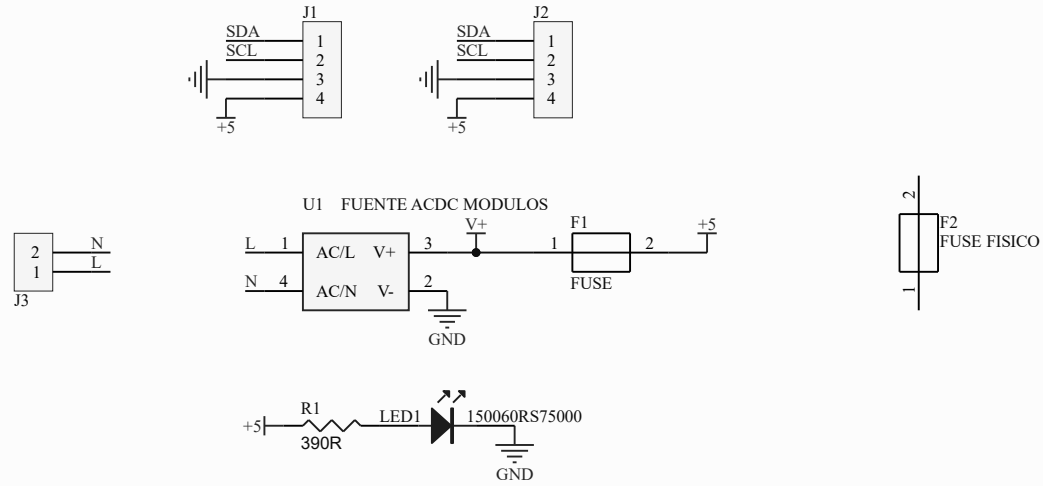
B

C

C

D

D



Title		
HRD_FteDCDC2A		
Size	Number	Revision
A4		1.1
Date:	5/03/2024	Sheet of
File:	C:\Users\...RFIM028 - HRD REGULADOR\Drawings\SchDoc	

1

2

3

4