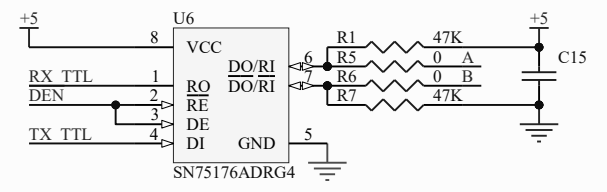
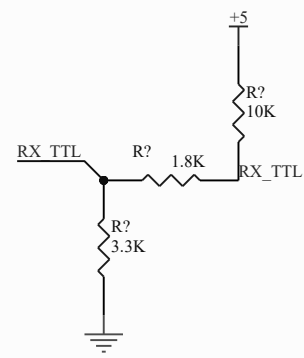
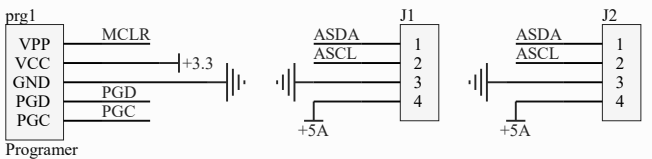
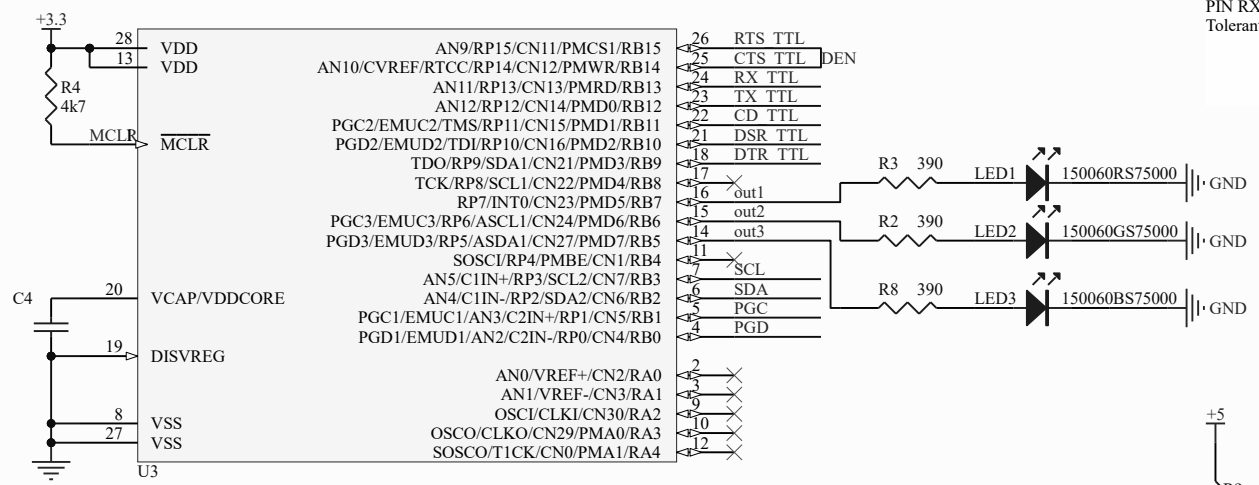
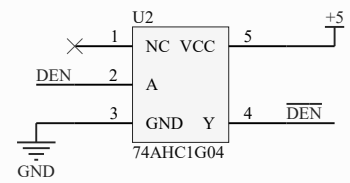
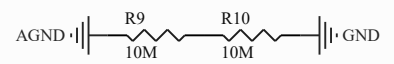


PIN RX_TTL debe ser 5V Tolerant



Title		
Size	Number	Revision
A4		
Date:	5/03/2024	Sheet of
File:	C:\Users\...HRD_RS485.SchDoc	Drawn By: